

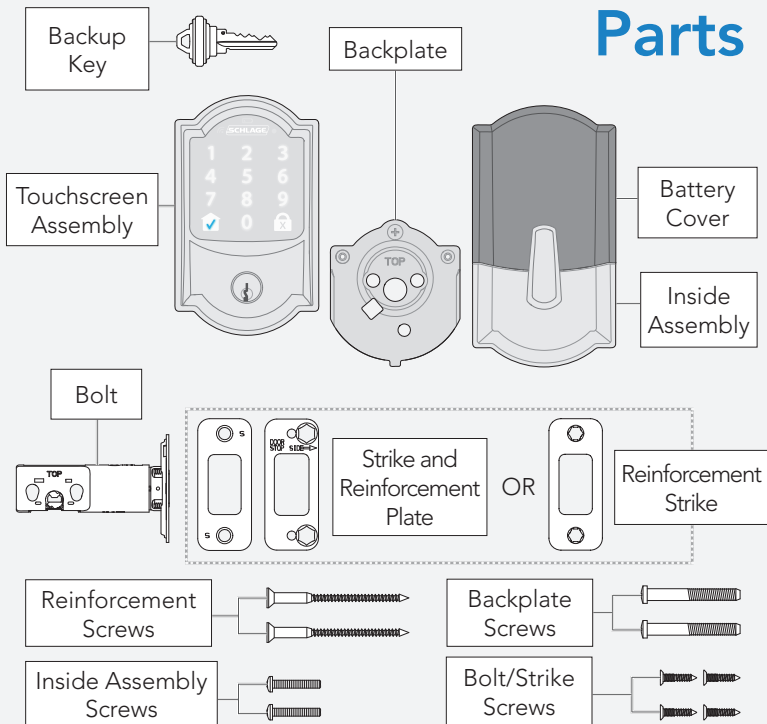


Schlage **Encode**TM

SMART WIFI DEADBOLT

Quick Start Guide

Parts





alle.co/encode

Visit alle.co/encode for an improved installation experience. Access online interactive instructions, warranty, and reference information.

Touchscreen



Communication Icon

- Flashes when lock is connecting to WiFi to check for updates.



Low Battery Icon

- Flashes after code is entered when battery is low.
- Solid when battery is critical. The lock will not work without new batteries.



Programming and Input LED

- Amber when using manual programming mode.



Home Button and Checkmark Icon

- Turns on keypad backlight.
- Starts WiFi connection process.
- Checkmark flashes when code entry is correct.
- Checkmark flashes when manual programming are successful.



Lock Button and "X" Icon

- Locks the lock.
- Turns on keypad backlight if the lock is locked.
- "X" flashes for a wrong user code.



Tools



Phillips screwdriver

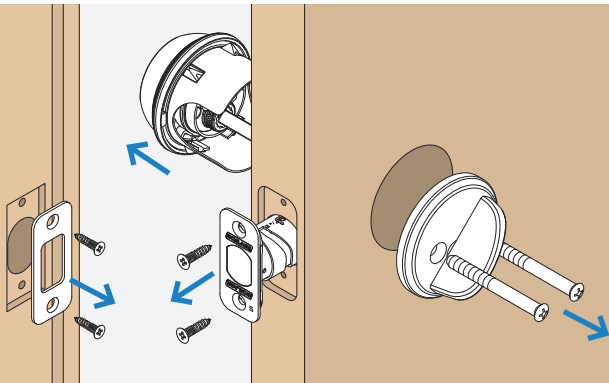
Don't use a power drill!

step

1

Remove existing lock.

Remove the entire deadbolt, including the bolt. You may also want to remove the strike. A standard Schlage deadbolt is shown. Check with your specific deadbolt manufacturer if you need help.



step
2

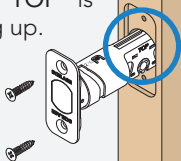
Need Help?

Visit alle.co/encode.

Install the bolt.

You may have to adjust your bolt length. Make sure the slot in the bolt is centered in the hole.

Make sure the word "TOP" is facing up.

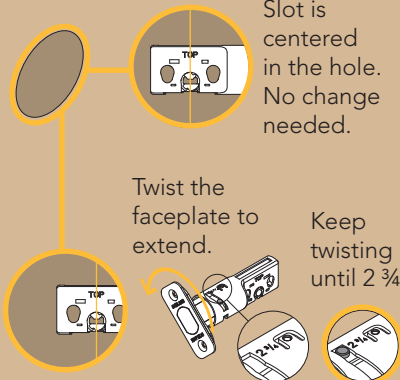


Actual Size

Slot is centered in the hole. No change needed.

Twist the faceplate to extend.

Keep twisting until $2\frac{3}{4}$ ".



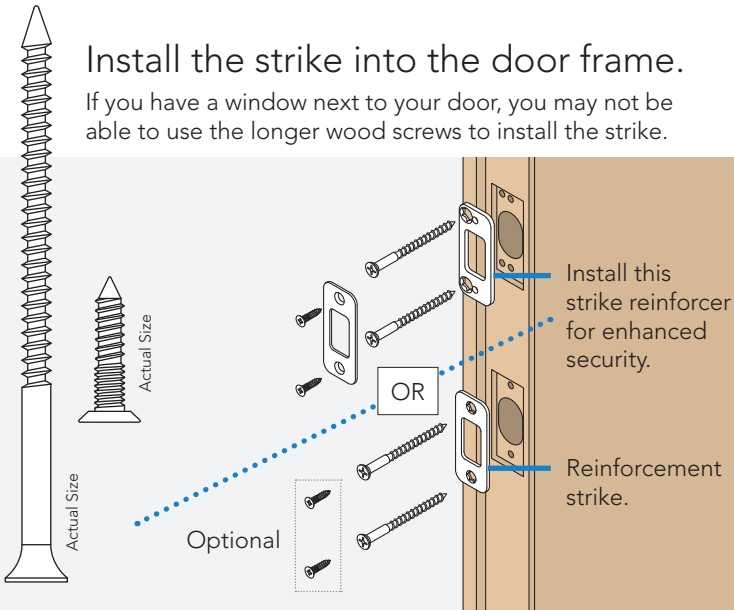
step
3

Need Help?

Trouble installing the strike reinforcer?
Visit alle.co/encode

Install the strike into the door frame.

If you have a window next to your door, you may not be able to use the longer wood screws to install the strike.



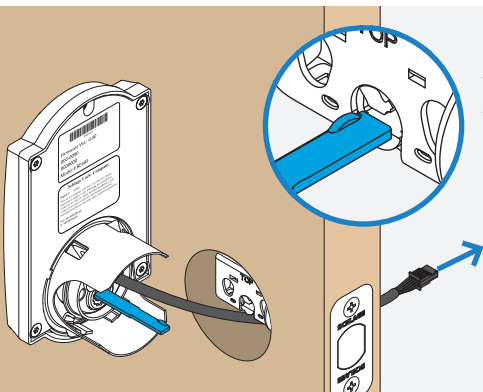
step
4

Is it hard to install the touchscreen?
Is the tailpiece not installing correctly?

If your through hole seems too small, you may need to remove the spacer. Visit alle.co/encode.

Install the touchscreen.

Route the cable through the door **BELOW** the bolt. Align the tailpiece as shown and push the touchscreen onto the door.



The bump on the tailpiece aligns with the slot in the bolt.

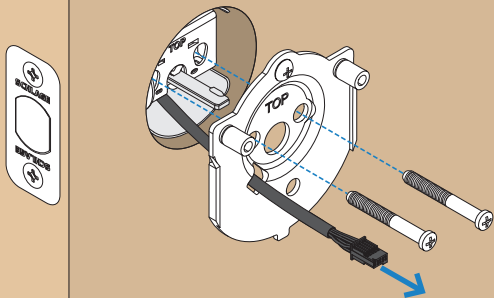
step
5



Phillips screwdriver
Don't use a power drill!
You may damage your
lock!

Install the backplate.

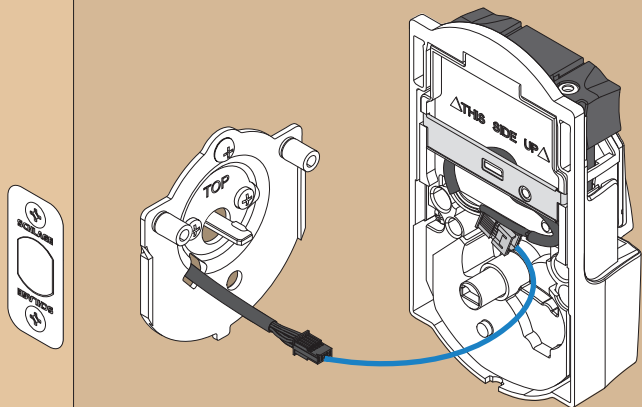
Route the cable under the bolt and through the hole on the bottom of the backplate. Secure the backplate with screws. Make sure the outside touchscreen is straight before tightening screws all the way.



step
6

Connect the cable.

Tuck the cable and connector in the space above the spindle.



step
7



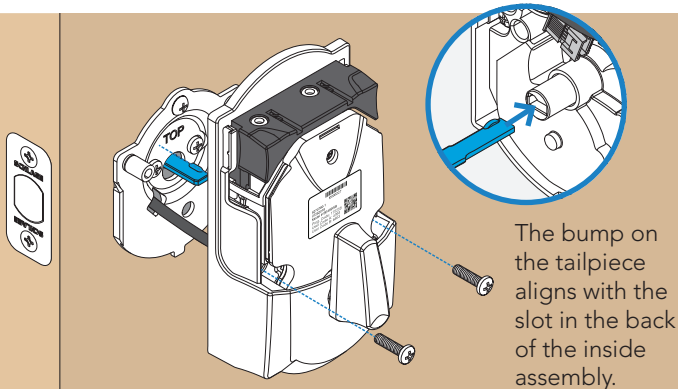
Phillips screwdriver

Don't use a power drill!

You may damage your lock!

Secure the lock to the door.

If the bump on the tailpiece doesn't align with the slot in the back of the inside assembly, make sure your thumbturn is vertical (up and down).

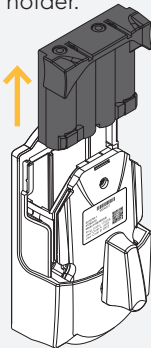


The bump on the tailpiece aligns with the slot in the back of the inside assembly.

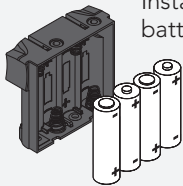
step
8

Install batteries and slide the cover on.

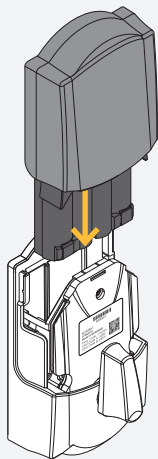
Pull out battery holder.



Install batteries.



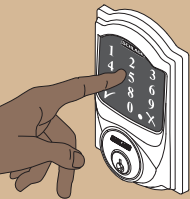
Reinstall battery holder.
Turn the battery holder
around so the batteries
face the door.



That wasn't so bad, was it?

Your lock is now installed! Remember, you still have to set up your lock to use it.

step
9



Set up your lock.

1. Open your door!
2. Enter one of the two default user codes.
3. Your lock will enter a setup routine. When the bolt stops moving, setup is complete.

Final test!

1. Close your door.
2. Extend and retract the bolt using the inside thumbturn.
3. Make sure the bolt retracts smoothly.
4. Open your door.
5. Extend the bolt using the inside thumbturn.
6. Now enter a user code at the touchscreen.

Need Help?

If the bolt doesn't extend or retract during testing, visit alle.co/encode.



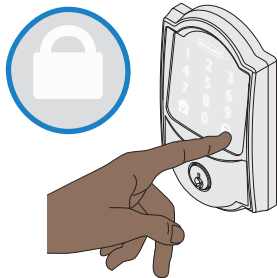
Now that your lock is installed

you can use a smart home system to lock and unlock your door from anywhere and add user codes for guests and household members.

alle.co/encode

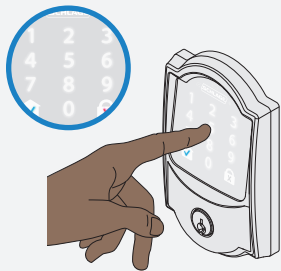
Visit alle.co/encode for a list of compatible smart home apps that allow you to control your Schlage **Encode**™ with your smartphone.

Lock and unlock



To lock your door just tap the  lock icon.

You can also lock your door from inside by turning the thumbturn toward the door edge.



To unlock your door enter a user code.

You can also unlock your door from inside by turning the thumbturn away from the door edge.

PLACE LABEL
HERE

These are your backup codes.
You will need these codes if you
ever factory default reset your lock.
Keep these safe!

Questions about your new
Schlage **Encode™** Smart WiFi Deadbolt?

Please don't return it to the store!

Let us help you first!



alle.co/encode



© Allegion 2020
Printed in U.S.A.
47327841 Rev. 10/20-a



47327841